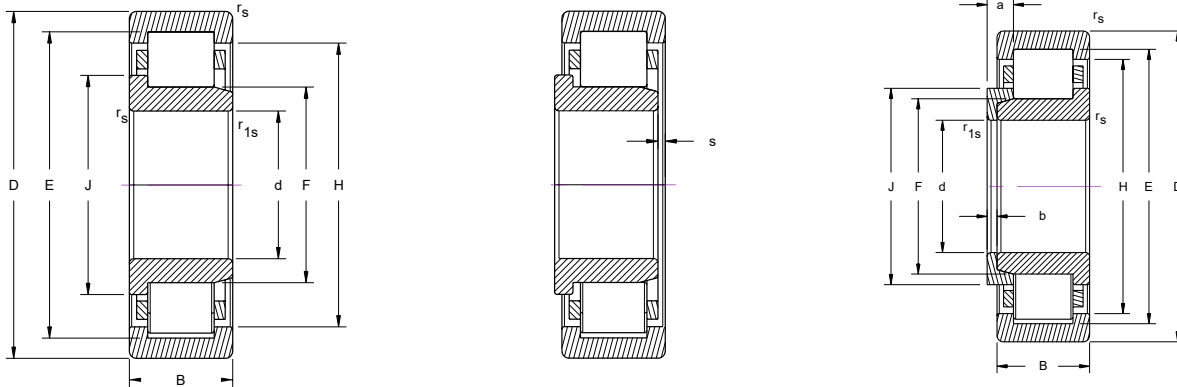


NJ200E series



| Bearing Number | Dimensions (mm) | | | | | | | | | | Load Ratings (lbf) | | | | Limiting Speed (RPM) | Weight (lbs) |
|----------------|-----------------|-----|----|-------|-------|-------|-------|------|------|-----|--------------------|-----------------|---------|--------|----------------------|--------------|
| | d | D | B | E | F | H | J | a | b | s* | r _s | r _{1s} | Dynamic | Static | | |
| | | | | | | | | | | | min | min | Cr | Cor | | |
| NJ202E | 15 | 35 | 11 | 30.3 | 19.3 | 28.0 | 21.6 | 5.0 | 2.5 | 1.6 | 0.6 | 0.3 | 2923 | 2248 | 22000 | 0.1 |
| NJ203E | 17 | 40 | 12 | 35.1 | 22.1 | 32.5 | 24.9 | 5.5 | 3.0 | 1.2 | 0.6 | 0.6 | 3597 | 2923 | 18000 | 0.2 |
| NJ204E | 20 | 47 | 14 | 41.5 | 26.5 | 38.8 | 29.7 | 5.5 | 3.0 | 1.0 | 1.0 | 0.6 | 5845 | 5171 | 16000 | 0.2 |
| NJ205E | 25 | 52 | 15 | 46.5 | 31.5 | 43.8 | 34.7 | 6.0 | 3.0 | 1.2 | 1.0 | 0.6 | 6744 | 6295 | 15000 | 0.3 |
| NJ206E | 30 | 62 | 16 | 55.5 | 37.5 | 52.5 | 41.3 | 7.0 | 4.0 | 1.5 | 1.0 | 0.6 | 8768 | 8768 | 12000 | 0.5 |
| NJ207E | 35 | 72 | 17 | 64.0 | 44.0 | 61.0 | 48.0 | 7.0 | 4.0 | 0.7 | 1.1 | 1.1 | 11240 | 11240 | 10000 | 0.7 |
| NJ208E | 40 | 80 | 18 | 71.5 | 49.5 | 68.3 | 54.0 | 8.5 | 5.0 | 1.0 | 1.1 | 1.1 | 12589 | 12364 | 9000 | 0.8 |
| NJ209E | 45 | 85 | 19 | 76.5 | 54.5 | 73.3 | 59.0 | 8.5 | 5.0 | 1.9 | 1.1 | 1.1 | 14163 | 14837 | 8500 | 1.0 |
| NJ210E | 50 | 90 | 20 | 81.5 | 59.5 | 78.3 | 64.0 | 9.0 | 5.0 | 1.3 | 1.1 | 1.1 | 14837 | 16186 | 8000 | 1.1 |
| NJ211E | 55 | 100 | 21 | 90.0 | 66.0 | 86.6 | 70.8 | 9.5 | 6.0 | 0.8 | 1.5 | 1.1 | 19334 | 22256 | 7000 | 1.5 |
| NJ212E | 60 | 110 | 22 | 100.0 | 72.0 | 96.1 | 77.5 | 10.0 | 6.0 | 1.6 | 1.5 | 1.5 | 21582 | 23830 | 6300 | 1.8 |
| NJ213E | 65 | 120 | 23 | 108.5 | 78.5 | 104.3 | 84.4 | 10.0 | 6.0 | 1.4 | 1.5 | 1.5 | 24729 | 27427 | 6000 | 2.3 |
| NJ214E | 70 | 125 | 24 | 113.5 | 83.5 | 109.4 | 89.4 | 11.0 | 7.0 | 1.2 | 1.5 | 1.5 | 27202 | 31698 | 5300 | 2.6 |
| NJ215E | 75 | 130 | 25 | 118.5 | 88.5 | 114.4 | 94.3 | 11.0 | 7.0 | 1.2 | 1.5 | 1.5 | 29900 | 36082 | 5300 | 2.9 |
| NJ216E | 80 | 140 | 26 | 127.3 | 95.3 | 122.9 | 101.5 | 12.5 | 8.0 | 1.3 | 2.0 | 2.0 | 31923 | 38442 | 4800 | 3.4 |
| NJ217E | 85 | 150 | 28 | 136.5 | 100.5 | 131.5 | 107.5 | 12.5 | 8.0 | 0.8 | 2.0 | 2.0 | 37543 | 44737 | 4500 | 4.2 |
| NJ218E | 90 | 160 | 30 | 145.0 | 107.0 | 139.7 | 114.3 | 14.0 | 9.0 | 1.5 | 2.0 | 2.0 | 41590 | 49908 | 4300 | 5.1 |
| NJ219E | 95 | 170 | 32 | 154.5 | 112.5 | 148.6 | 120.5 | 14.0 | 9.0 | 0.7 | 2.1 | 2.1 | 50357 | 60698 | 3800 | 6.4 |
| NJ220E | 100 | 180 | 34 | 163.0 | 119.0 | 156.9 | 127.3 | 15.0 | 10.0 | 1.5 | 2.1 | 2.1 | 56877 | 69916 | 3800 | 7.6 |
| NJ221E | 105 | 190 | 36 | 171.5 | 125.5 | 165.1 | 134.5 | 16.0 | 10.0 | 1.3 | 2.1 | 2.1 | 59687 | 71489 | 3600 | 8.8 |
| NJ222E | 110 | 200 | 38 | 180.5 | 132.5 | 173.8 | 141.6 | 17.0 | 11.0 | 1.5 | 2.1 | 2.1 | 66543 | 83404 | 3400 | 10.6 |
| NJ224E | 120 | 215 | 40 | 195.5 | 143.5 | 187.8 | 153.2 | 17.0 | 11.0 | 1.4 | 2.1 | 2.1 | 77109 | 97792 | 3200 | 12.9 |
| NJ226E | 130 | 230 | 40 | 209.5 | 153.5 | 201.2 | 163.9 | 17.0 | 11.0 | 1.2 | 3.0 | 3.0 | 82505 | 103525 | 3000 | 14.6 |
| NJ228E | 140 | 250 | 42 | 225.0 | 169.0 | 216.7 | 179.4 | 18.0 | 11.0 | 2.0 | 3.0 | 3.0 | 90823 | 119823 | 2800 | 19.0 |
| NJ230E | 150 | 270 | 45 | 242.0 | 182.0 | 233.2 | 193.1 | 19.5 | 12.0 | 4.0 | 3.0 | 3.0 | 97792 | 128366 | 2500 | 26.5 |
| NJ232E | 160 | 290 | 48 | 259.0 | 195.0 | 249.6 | 206.8 | 20.0 | 12.0 | 4.1 | 3.0 | 3.0 | 110606 | 146800 | 2300 | 32.0 |
| NJ234E | 170 | 310 | 52 | 279.0 | 207.0 | 268.5 | 218.4 | 20.0 | 12.0 | 4.4 | 4.0 | 4.0 | 131738 | 173328 | 1600 | 38.6 |
| NJ236E | 180 | 320 | 52 | 289.0 | 217.0 | 278.6 | 230.8 | 20.0 | 12.0 | 4.7 | 4.0 | 4.0 | 137133 | 184793 | 1600 | 40.8 |
| NJ238E | 190 | 340 | 55 | 306.0 | 230.0 | 295.0 | 243.9 | 21.5 | 13.0 | 4.7 | 4.0 | 4.0 | 151971 | 206712 | 1200 | 48.5 |
| NJ240E | 200 | 360 | 58 | 323.0 | 243.0 | 311.5 | 258.2 | 23.0 | 14.0 | 5.0 | 4.0 | 4.0 | 167483 | 229980 | 800 | 59.5 |

* Permissible axial displacement